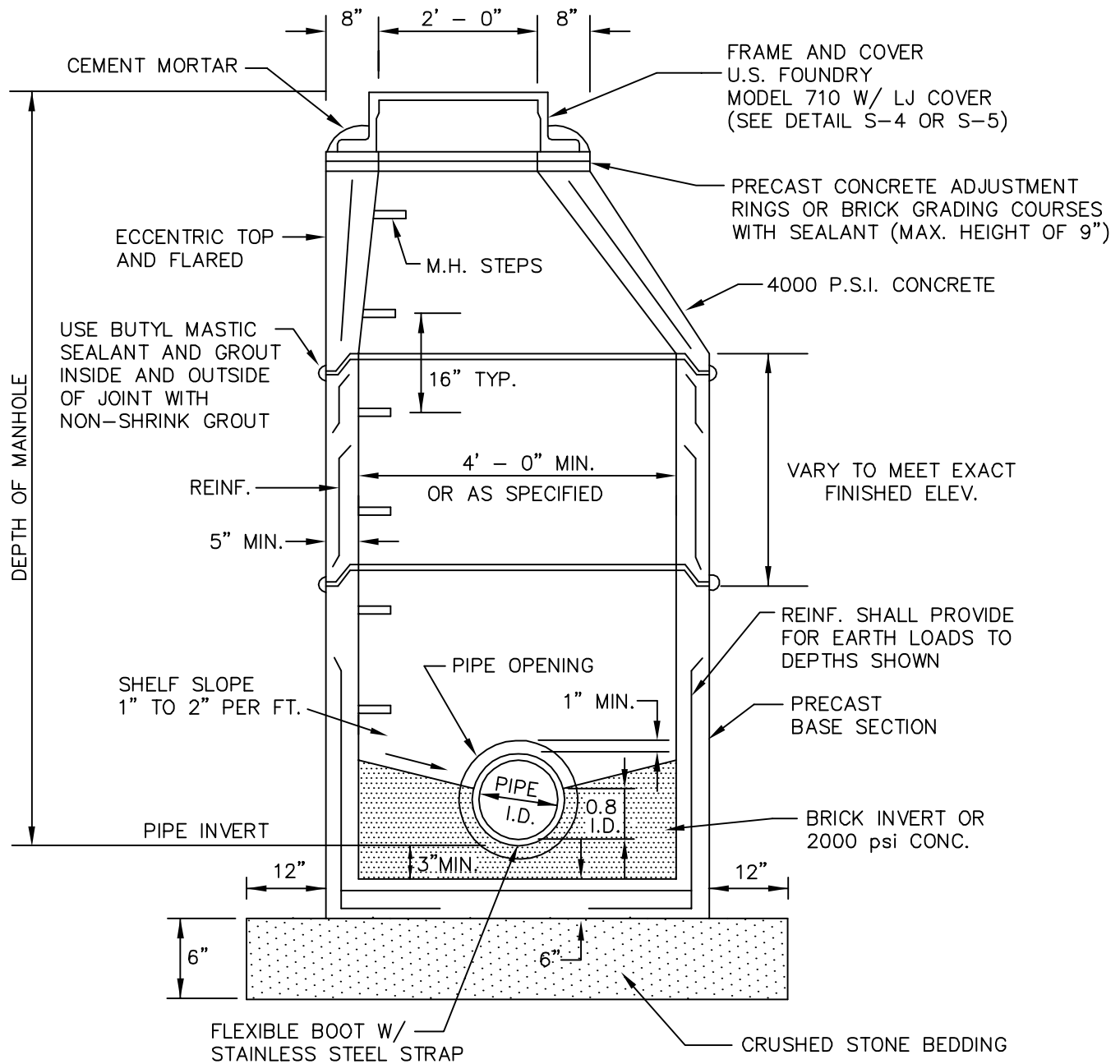


CITY OF NORTH MYRTLE BEACH STANDARD DETAILS
ENGINEERING DIVISION



SEWER:

- S-1 STANDARD PRECAST CONCRETE MANHOLE SECTION VIEW
- S-2 PRECAST CONCRETE MANHOLE PLAN VIEW AND NOTES
- S-3 DROP MANHOLE
- S-4 STANDARD MANHOLE RING AND COVER
- S-5 WATERTIGHT MANHOLE RING AND COVER
- S-6 GRAVITY SEWER PIPE BEDDING NON-PAVEMENT AREAS
- S-7 GRAVITY SEWER PIPE BEDDING PAVEMENT AREAS
- S-8 SINGLE SEWER SERVICE CONNECTION
- S-9 RESIDENTIAL DOUBLE SEWER SERVICE CONNECTION
- S-10 PLUG VALVE AND BOX 8" OR LARGER
- S-11 PLUG VALVE AND BOX 6" OR SMALLER
- S-12 AIR RELEASE VALVE MARKER POST
- S-13 MAIN VALVE MARKER POST
- S-14 AIR RELEASE VALVE AND MANHOLE
- S-15 SEWER FORCE MAIN TO MANHOLE CONNECTION
- S-16 INSIDE DROP MANHOLE
- S-17 GREASE TRAP 1000 GALLON SIDE VIEW
- S-17_a GREASE TRAP 1000 GALLON END VIEW
- S-18 SANITARY SEWER CLEANOUT
- S-19 SEWER SERVICE BUILDING CONNECTION
- S-20 MULTI-FAMILY & COMMERCIAL 6" SEWER SERVICE CONNECTION



SECTION

STANDARD PRECAST
CONCRETE MANHOLE
SECTION VIEW

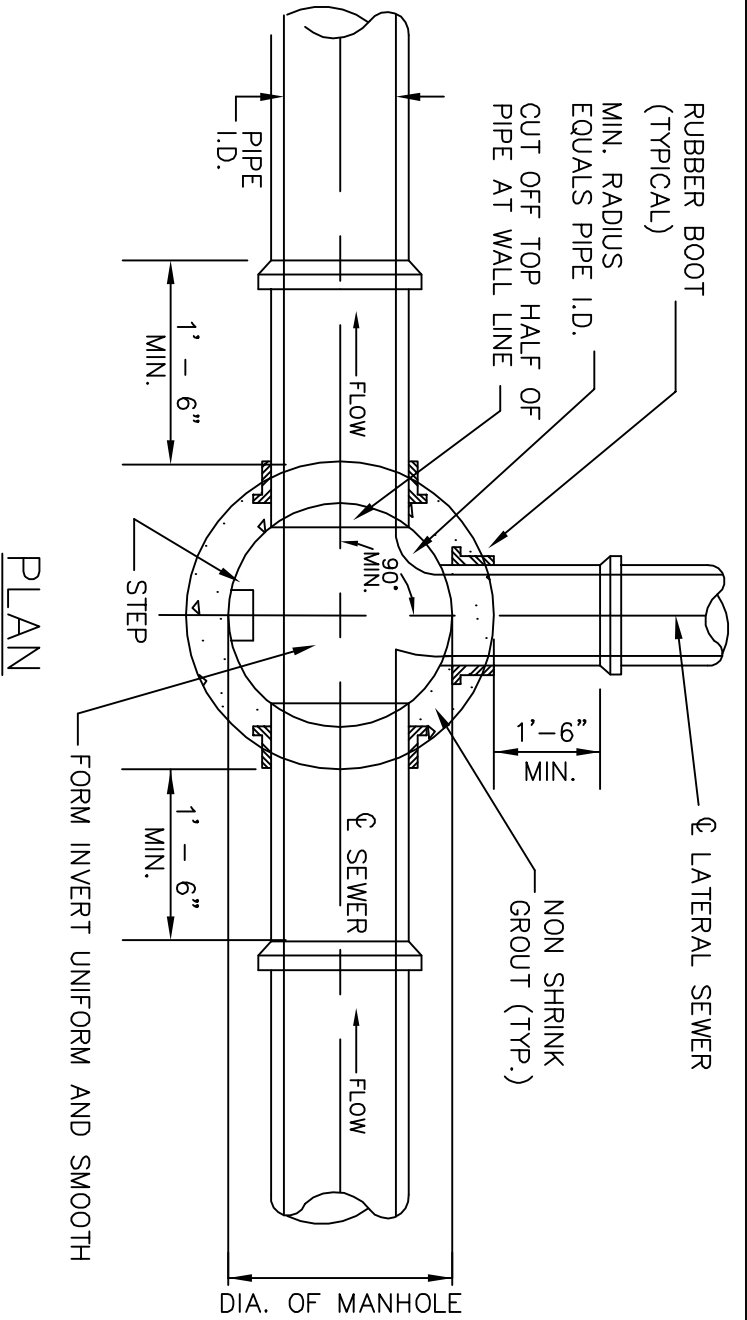
CITY OF NORTH MYRTLE BEACH
ENGINEERING DIVISION

DATE:
1/10/07

APPROVED BY: KDB
DRAWN BY: KJG

SHEET NO.
S-1





- NOTES:**
1. PAINT ALL ALUMINIUM AND CAST IRON SURFACES IMBEDDED IN OR IN CONTACT WITH CONCRETE WITH TWO (2) COATS OF COAL TAR.
 2. CAST THE WORDS "SANITARY SEWER" ON ALL COVERS.
 3. FILL LIFTING HOLES WITH A WATERPLUG OR EQUAL. SHAPE FLUSH WITH EXTERIOR WALL.
 4. FACTORY CAST HOLES AND INSTALL RUBBER BOOTS W/ STAINLESS STEEL BANDS FOR ALL SANITARY SEWER TO MANHOLE CONNECTIONS.
 5. JOINT SEALANT 1 INCH BUTYL RUBBER SEALANT OR 1 1/2 INCH DIA. ROPE MASTIC.
 6. SEAL ALL INTERIOR & EXTERIOR JOINTS.
 7. STEPS MUST BE CAST IN PLACE.
 8. PROVIDE A MINIMUM FALL OF 0.1 FOOT ACROSS MANHOLE FROM INVERT OF INLET PIPE TO THE INVERT OF THE OUTLET PIPE.

PRECAST CONCRETE MANHOLE
PLAN VIEW AND NOTES

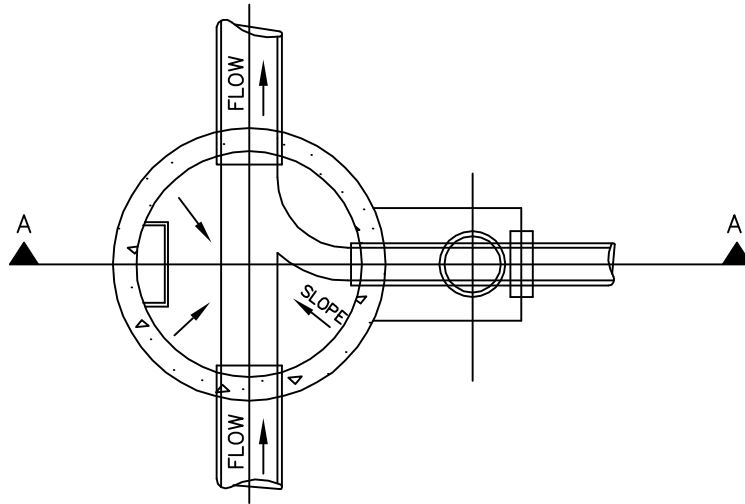
CITY OF NORTH MYRTLE BEACH
ENGINEERING DIVISION

DATE:
10/23/03

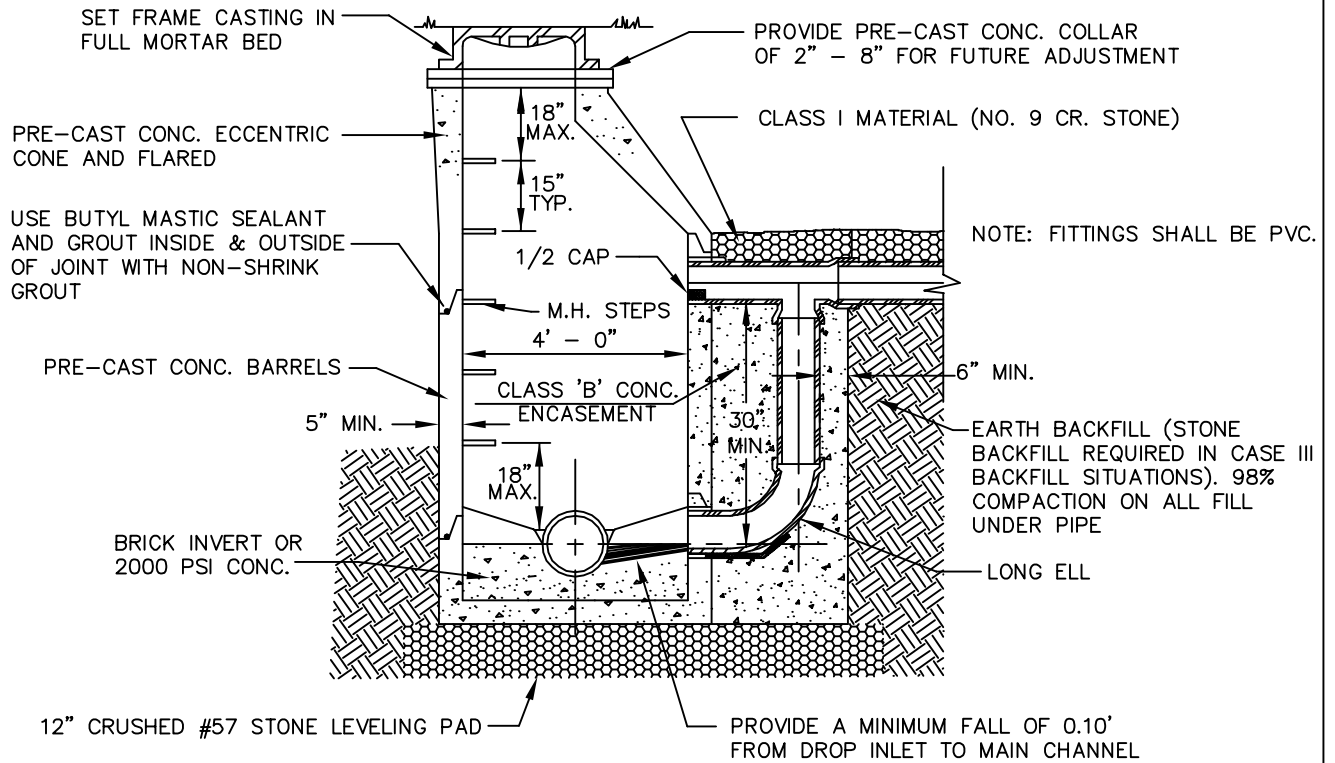
APPROVED BY: KDB
DRAWN BY: KJG

SHEET NO.
S-2





PLAN



SECTION A-A

DROP MANHOLE

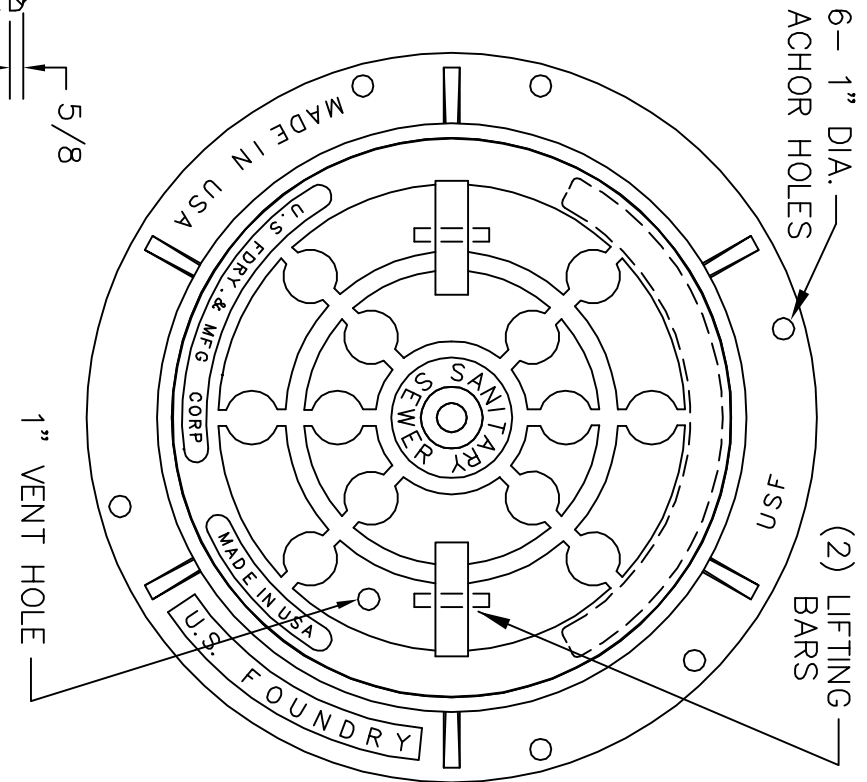
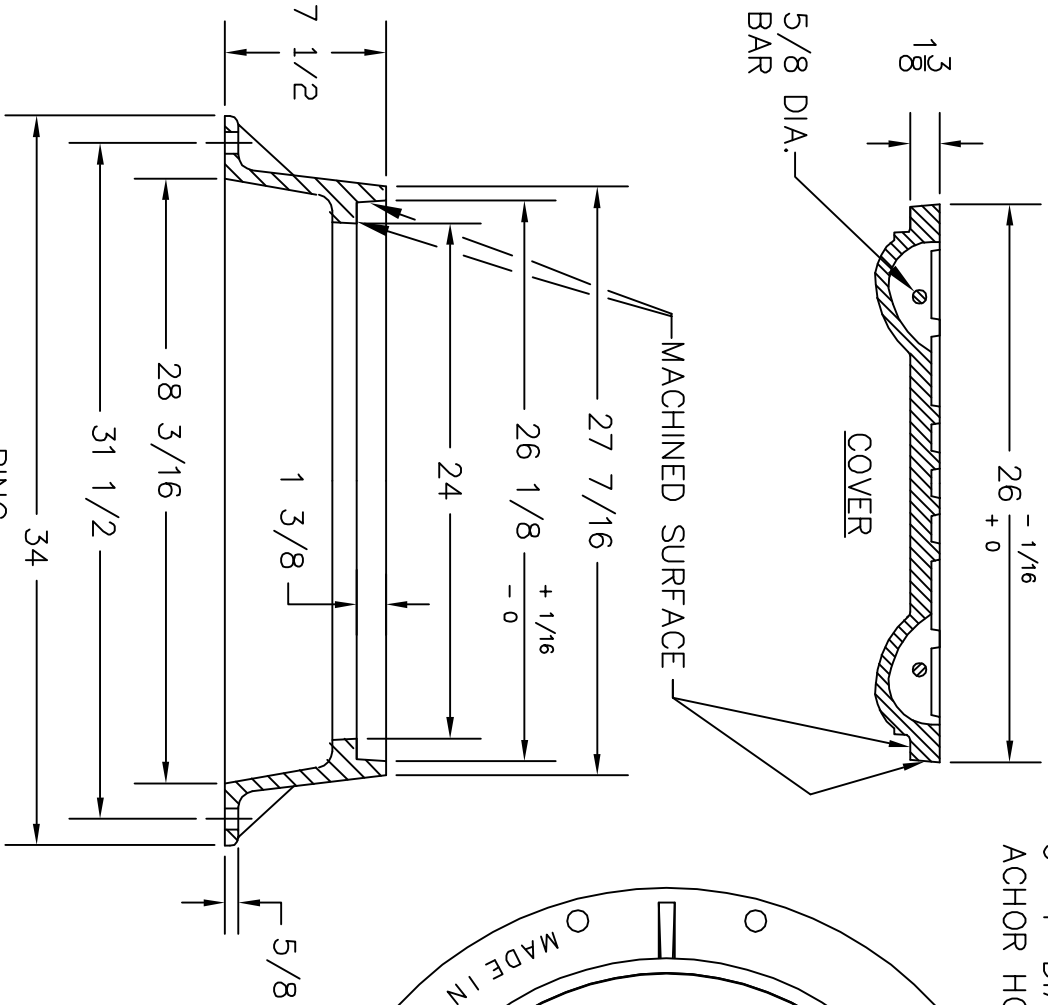
CITY OF NORTH MYRTLE BEACH
ENGINEERING DIVISION

APPROVED BY: KDB
DRAWN BY: KJG

DATE:
10/23/03

SHEET NO.
S-3





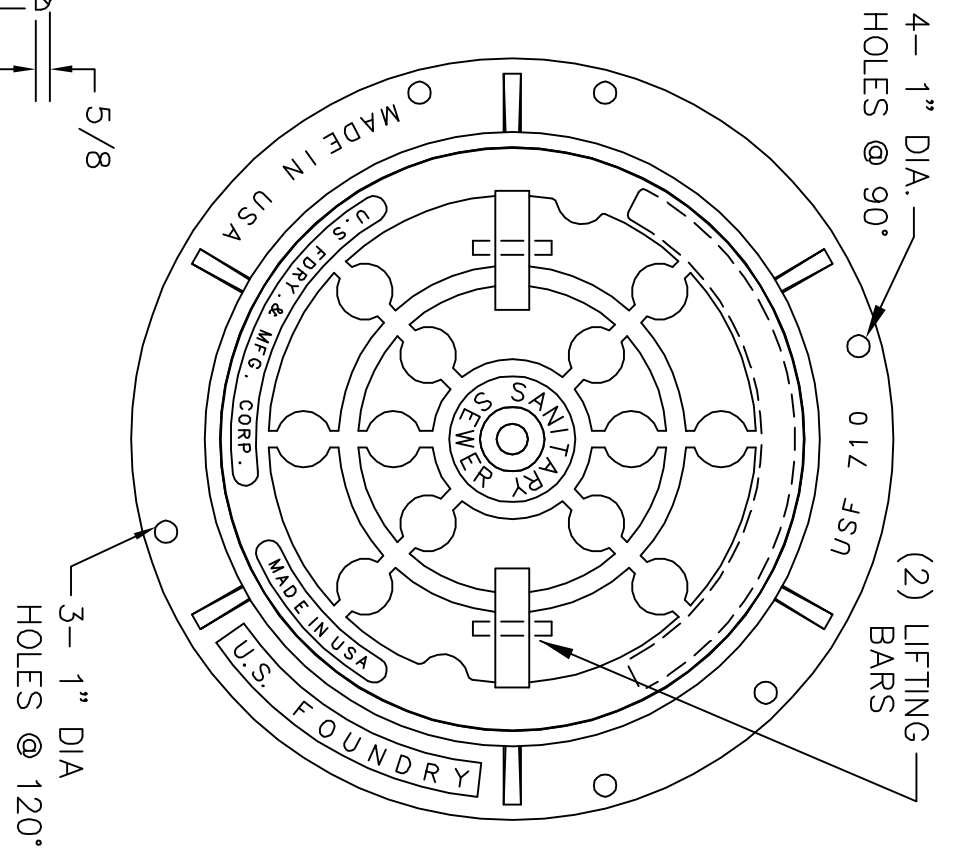
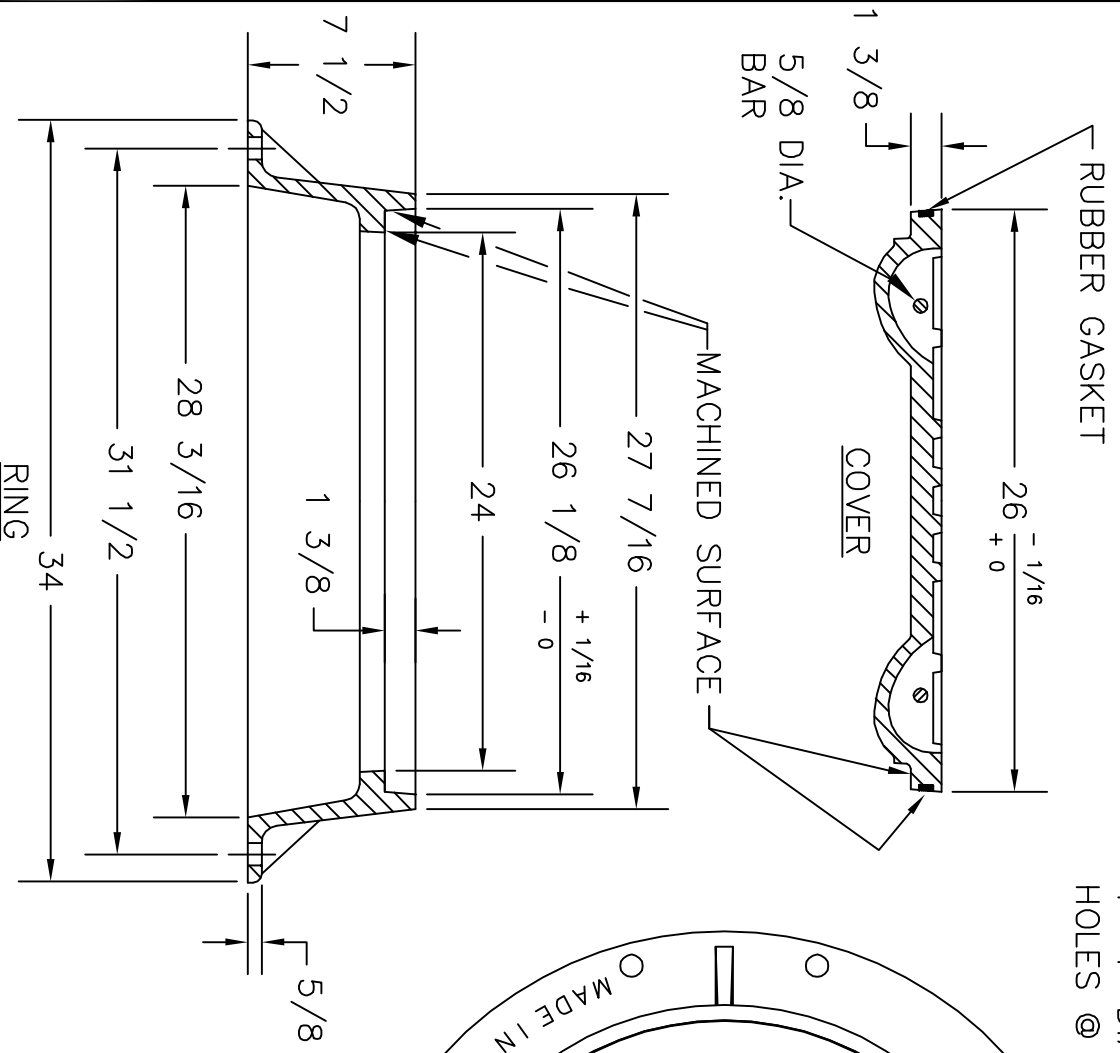
USF 710 RING & LJ COVER

CITY OF NORTH MYRTLE BEACH
ENGINEERING DIVISION

DATE: 3/22/06
SHEET NO. S-4



APPROVED BY: KDB
DRAWN BY: HRT



USF 710 RING & L.J-SSG COVER
MANHOLE

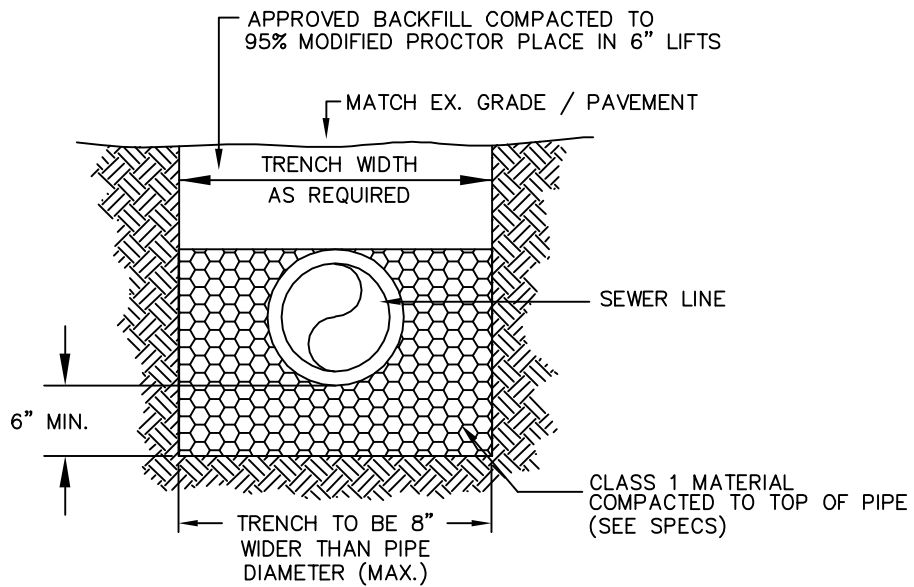
CITY OF NORTH MYRTLE BEACH
ENGINEERING DIVISION

DATE:
3/22/06

APPROVED BY: KDB
DRAWN BY: HRT

SHEET NO.
S-5





GRAVITY SEWER PIPE BEDDING
NON-PAVEMENT AREAS

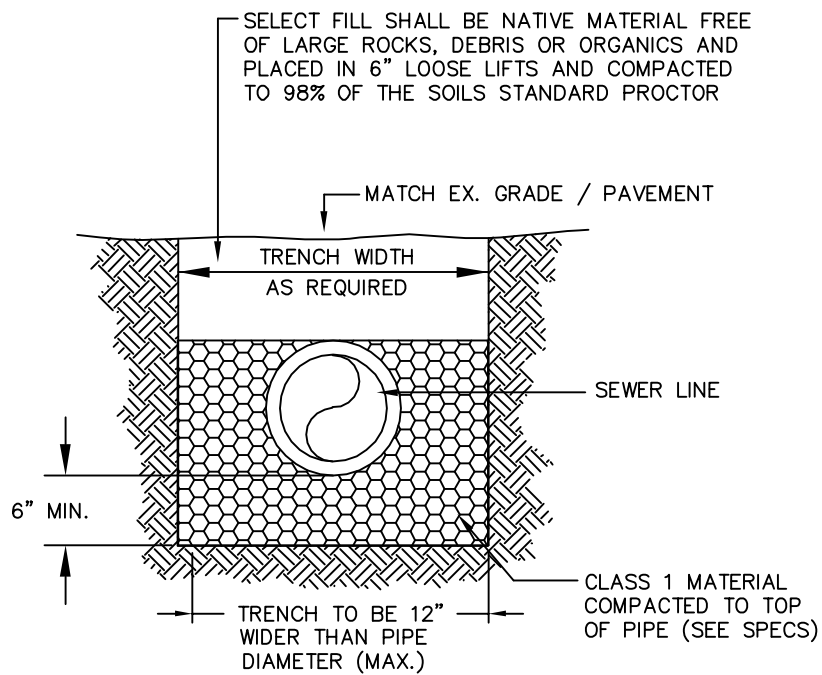
CITY OF NORTH MYRTLE BEACH
ENGINEERING DIVISION

APPROVED BY: KDB
DRAWN BY: KJG

DATE:
10/23/03

SHEET NO.
S-6





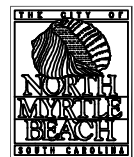
GRAVITY SEWER PIPE BEDDING
PAVEMENT AREAS

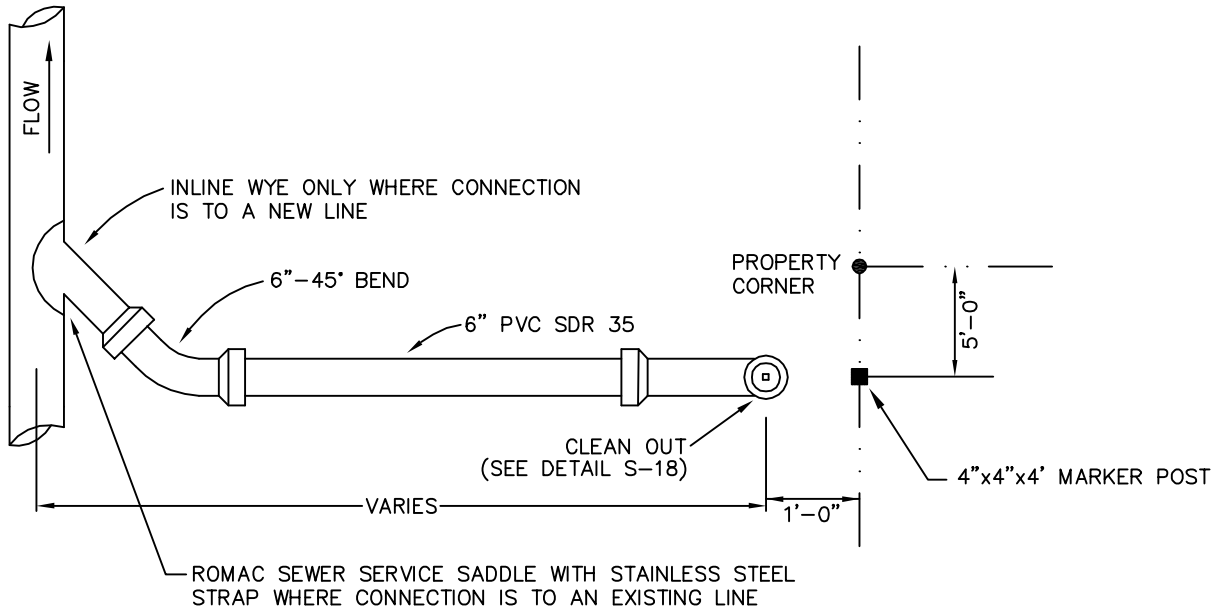
CITY OF NORTH MYRTLE BEACH
ENGINEERING DIVISION

DATE:
10/23/03

APPROVED BY: KDB
DRAWN BY: KJG

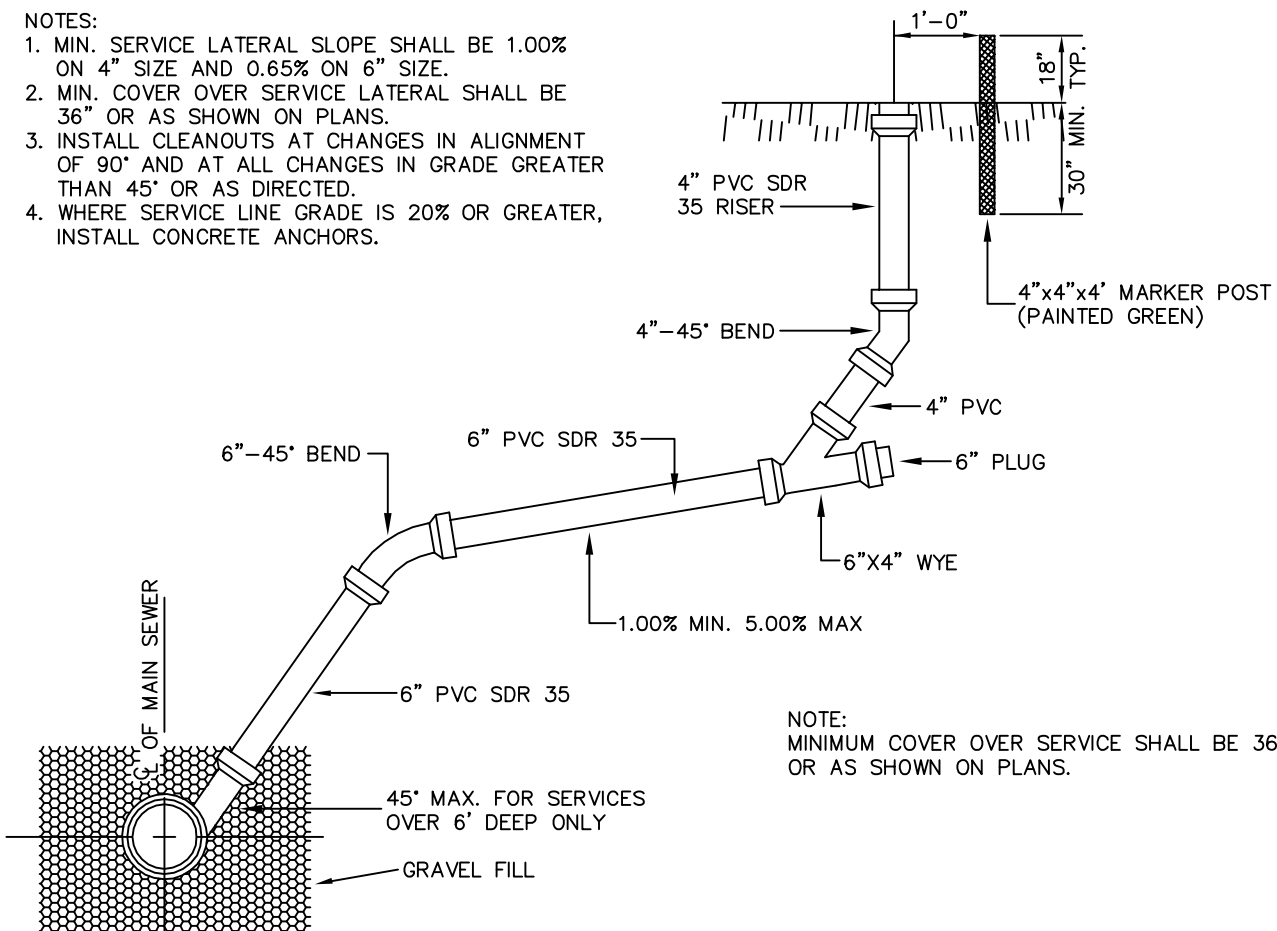
SHEET NO.
S-7





NOTES:

1. MIN. SERVICE LATERAL SLOPE SHALL BE 1.00% ON 4" SIZE AND 0.65% ON 6" SIZE.
2. MIN. COVER OVER SERVICE LATERAL SHALL BE 36" OR AS SHOWN ON PLANS.
3. INSTALL CLEANOUTS AT CHANGES IN ALIGNMENT OF 90° AND AT ALL CHANGES IN GRADE GREATER THAN 45° OR AS DIRECTED.
4. WHERE SERVICE LINE GRADE IS 20% OR GREATER, INSTALL CONCRETE ANCHORS.



NOTE:
MINIMUM COVER OVER SERVICE SHALL BE 36"
OR AS SHOWN ON PLANS.

SINGLE SEWER
SERVICE CONNECTION

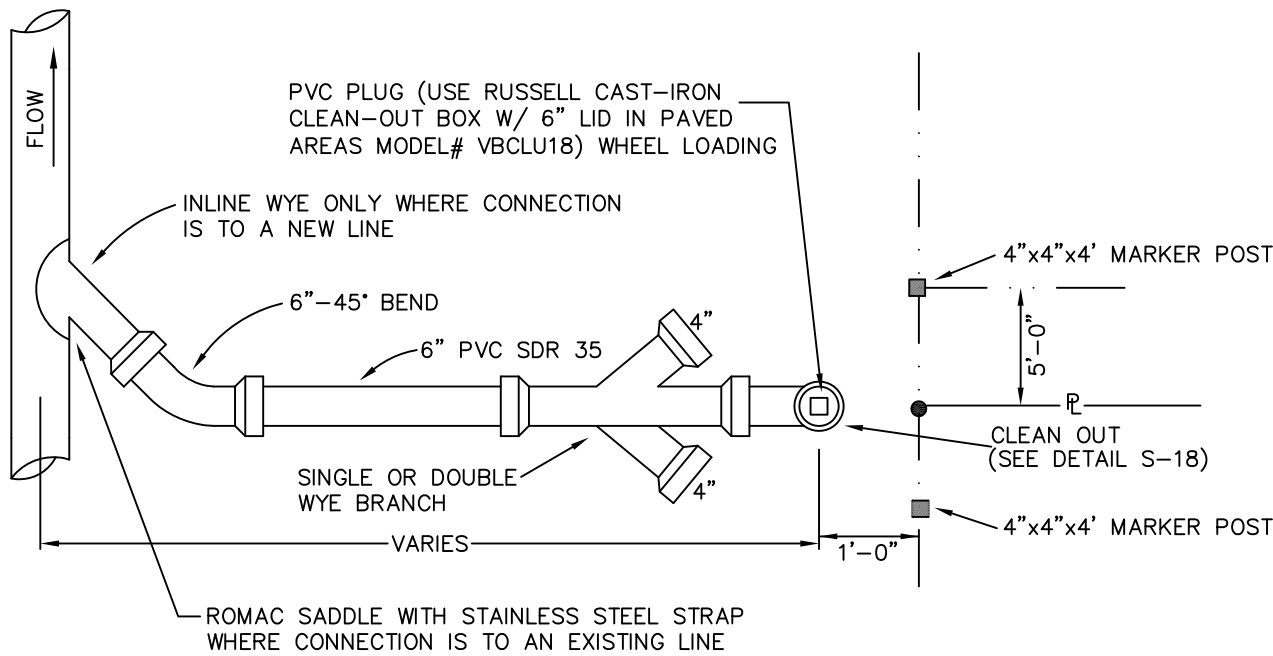
CITY OF NORTH MYRTLE BEACH
ENGINEERING DIVISION

APPROVED BY: KDB
DRAWN BY: KJG

DATE:
10/23/03

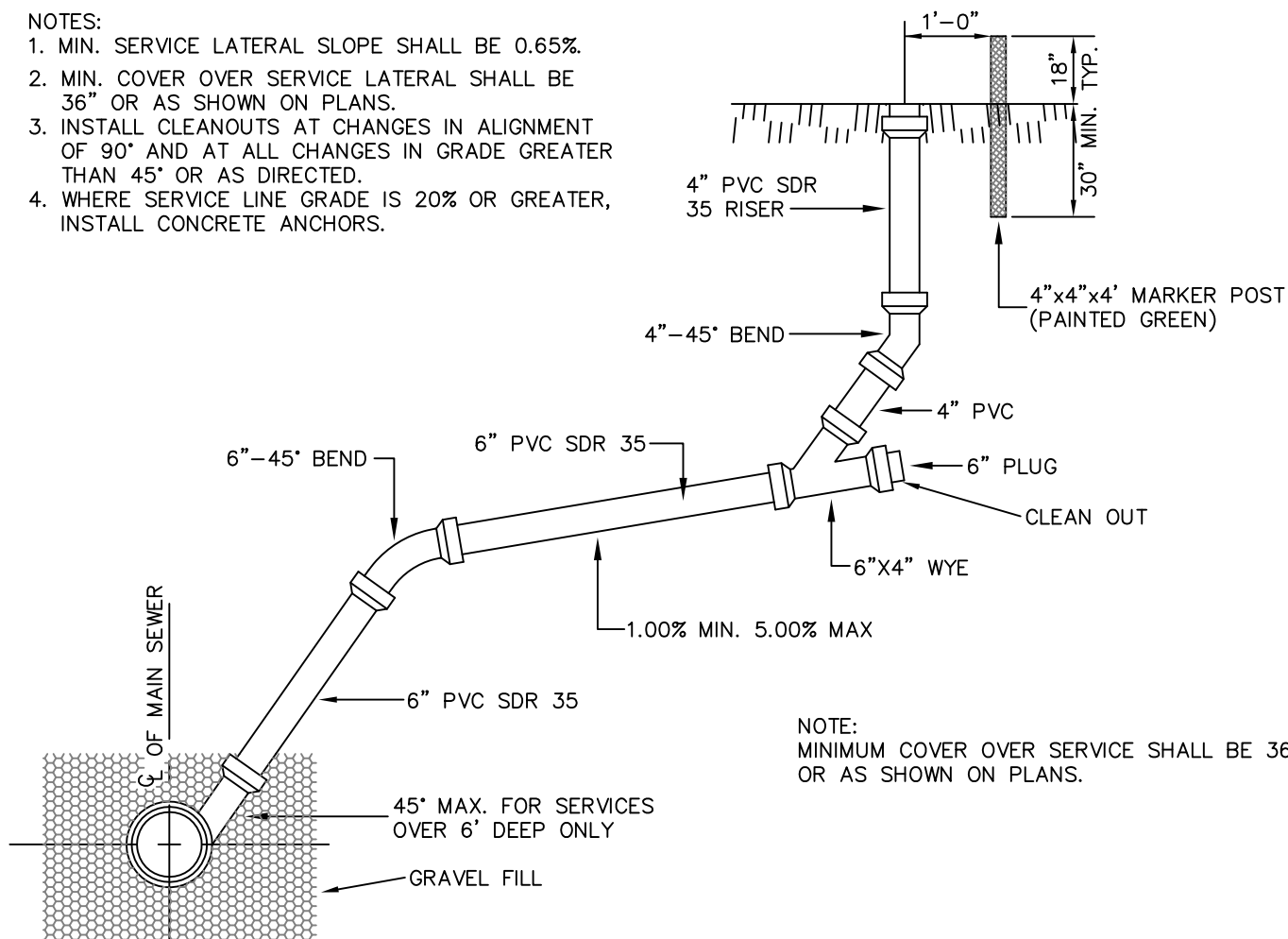
SHEET NO.
S-8





NOTES:

1. MIN. SERVICE LATERAL SLOPE SHALL BE 0.65%.
2. MIN. COVER OVER SERVICE LATERAL SHALL BE 36" OR AS SHOWN ON PLANS.
3. INSTALL CLEANOUTS AT CHANGES IN ALIGNMENT OF 90° AND AT ALL CHANGES IN GRADE GREATER THAN 45° OR AS DIRECTED.
4. WHERE SERVICE LINE GRADE IS 20% OR GREATER, INSTALL CONCRETE ANCHORS.



NOTE:
MINIMUM COVER OVER SERVICE SHALL BE 36"
OR AS SHOWN ON PLANS.

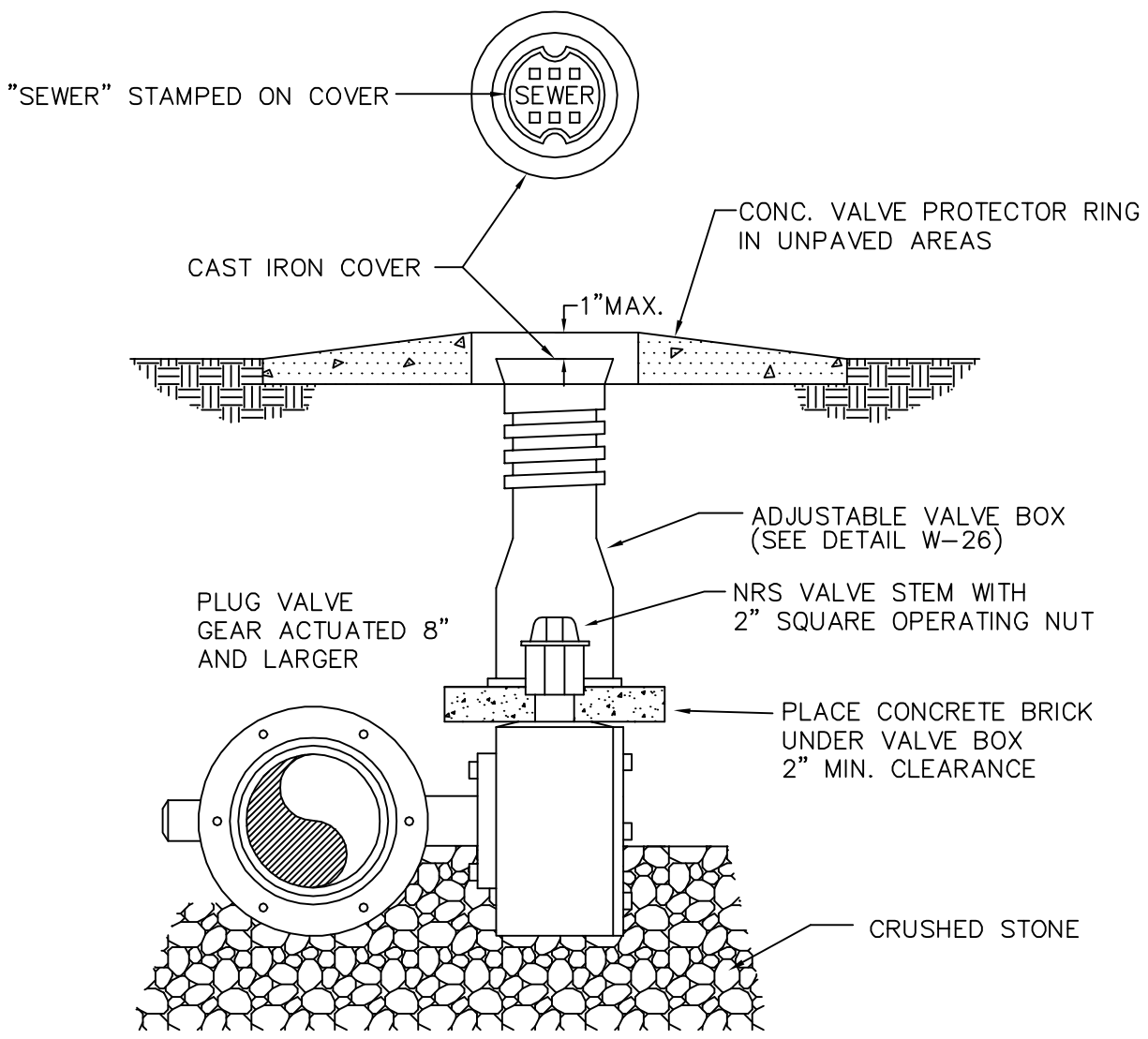
RESIDENTIAL DOUBLE SEWER
SERVICE CONNECTION

CITY OF NORTH MYRTLE BEACH
ENGINEERING DIVISION

APPROVED BY: KDB
DRAWN BY: KJG

DATE:
2/21/08
SHEET NO.
S-9





PLUG VALVE & BOX
8" AND LARGER

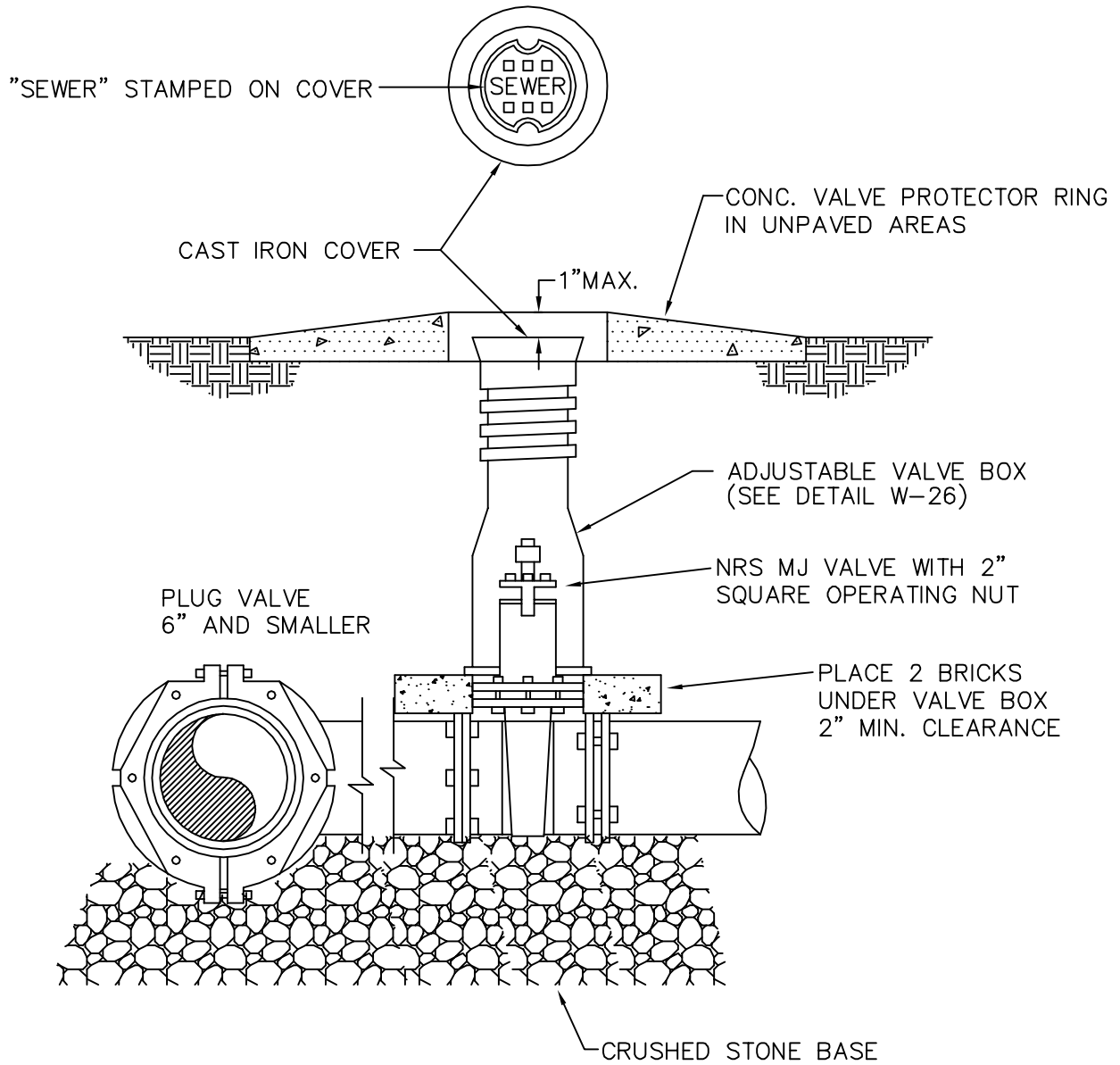
CITY OF NORTH MYRTLE BEACH
ENGINEERING DIVISION

APPROVED BY: KDB
DRAWN BY: KJG

DATE:
10/23/03

SHEET NO.
S-10





PLUG VALVE & BOX
6" AND SMALLER

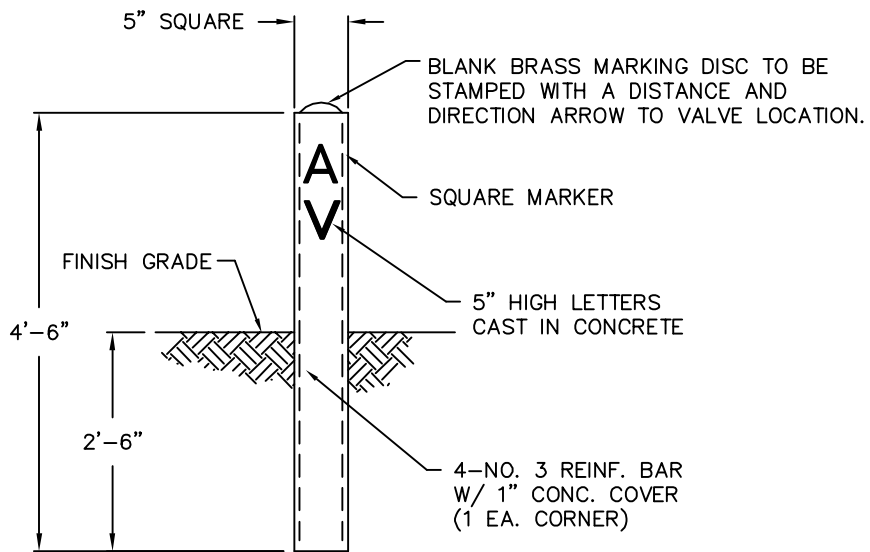
CITY OF NORTH MYRTLE BEACH
ENGINEERING DIVISION

APPROVED BY: KDB
DRAWN BY: KJG

DATE:
10/23/03

SHEET NO.
S-11





AIR RELEASE VALVE
MARKER POST

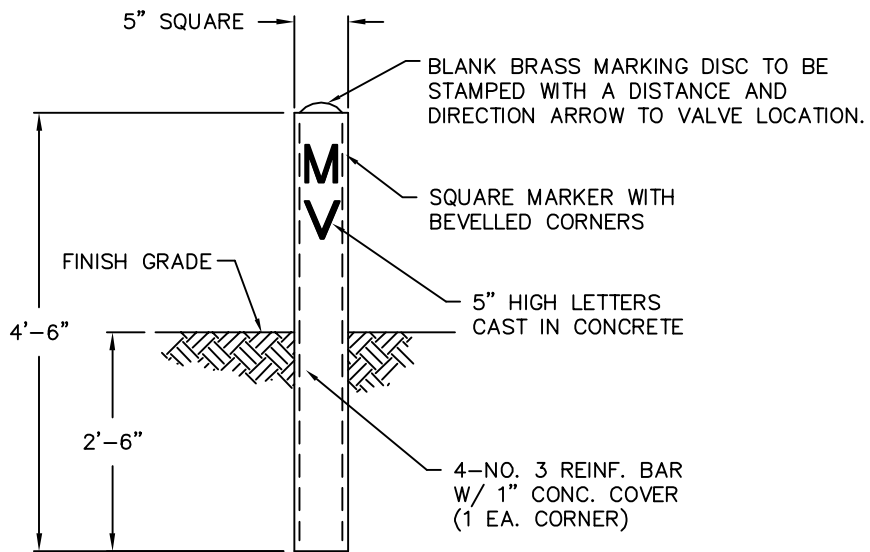
CITY OF NORTH MYRTLE BEACH
ENGINEERING DIVISION

APPROVED BY: KDB
DRAWN BY: KJG

DATE:
10/23/03

SHEET NO.
S-12





MAIN VALVE MARKER POST

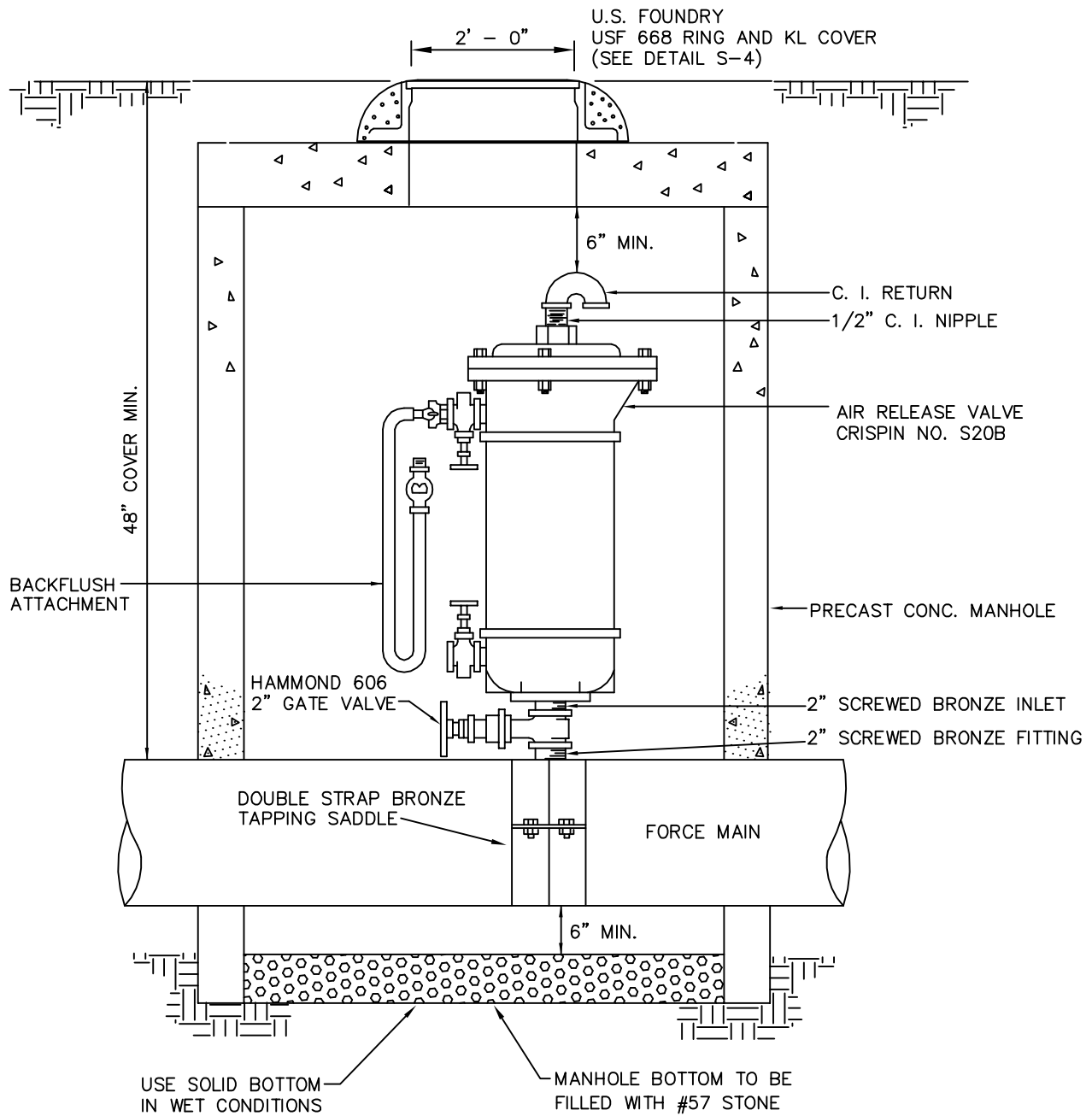
CITY OF NORTH MYRTLE BEACH
ENGINEERING DIVISION

APPROVED BY: KDB
DRAWN BY: KJG

DATE:
10/23/03

SHEET NO.
S-13





AIR RELEASE VALVE & MANHOLE

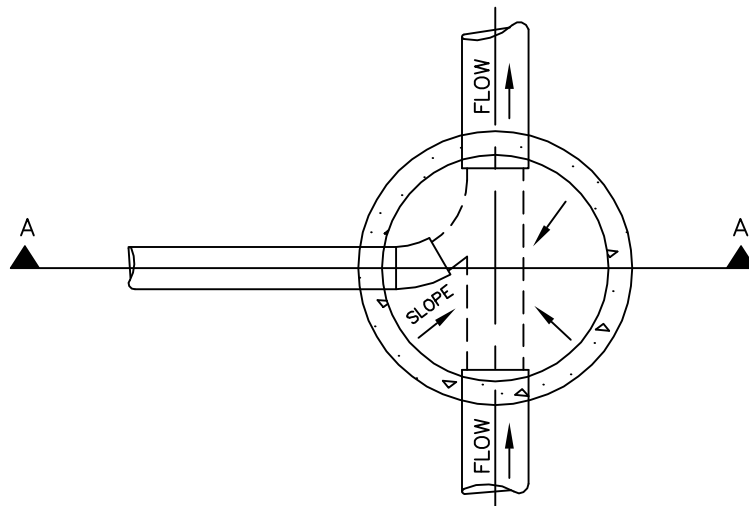
CITY OF NORTH MYRTLE BEACH
ENGINEERING DIVISION

APPROVED BY: KDB
DRAWN BY: KJG

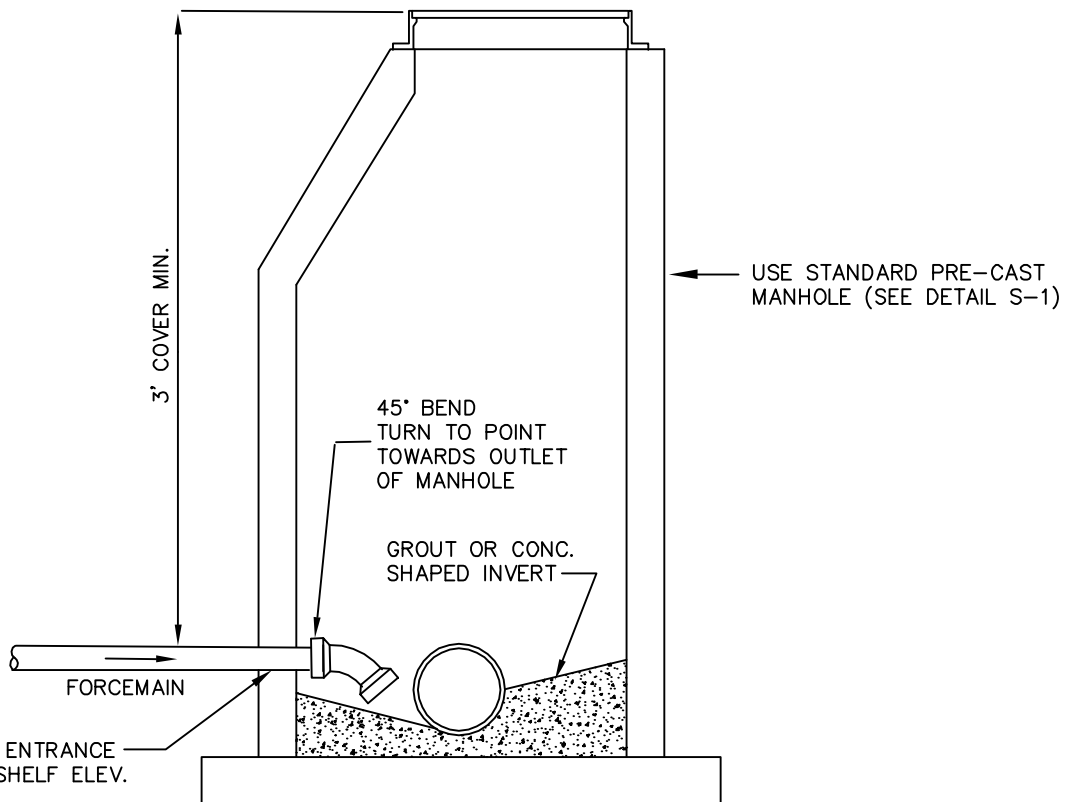
DATE:
10/23/03

SHEET NO.
S-14





PLAN



NOTE:
FORCE MAIN ENTRANCE
AT TOP OF SHELF ELEV.

SECTION A-A

SEWER FORCE MAIN TO
MANHOLE CONNECTION

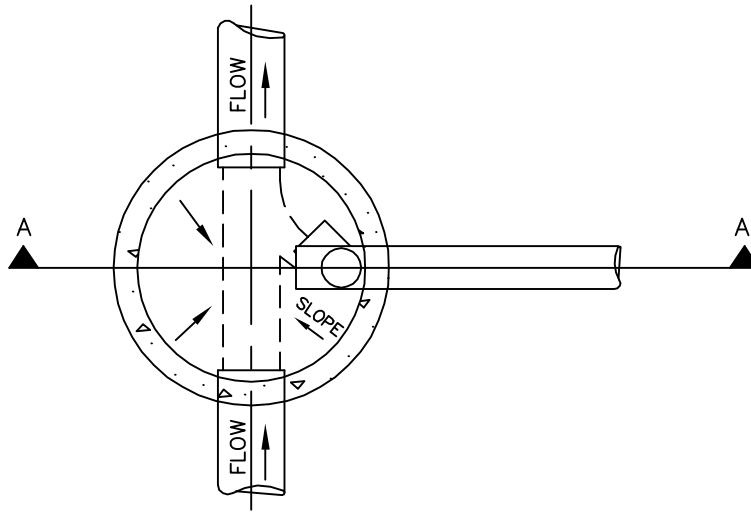
CITY OF NORTH MYRTLE BEACH
ENGINEERING DIVISION

APPROVED BY: KDB
DRAWN BY: KJG

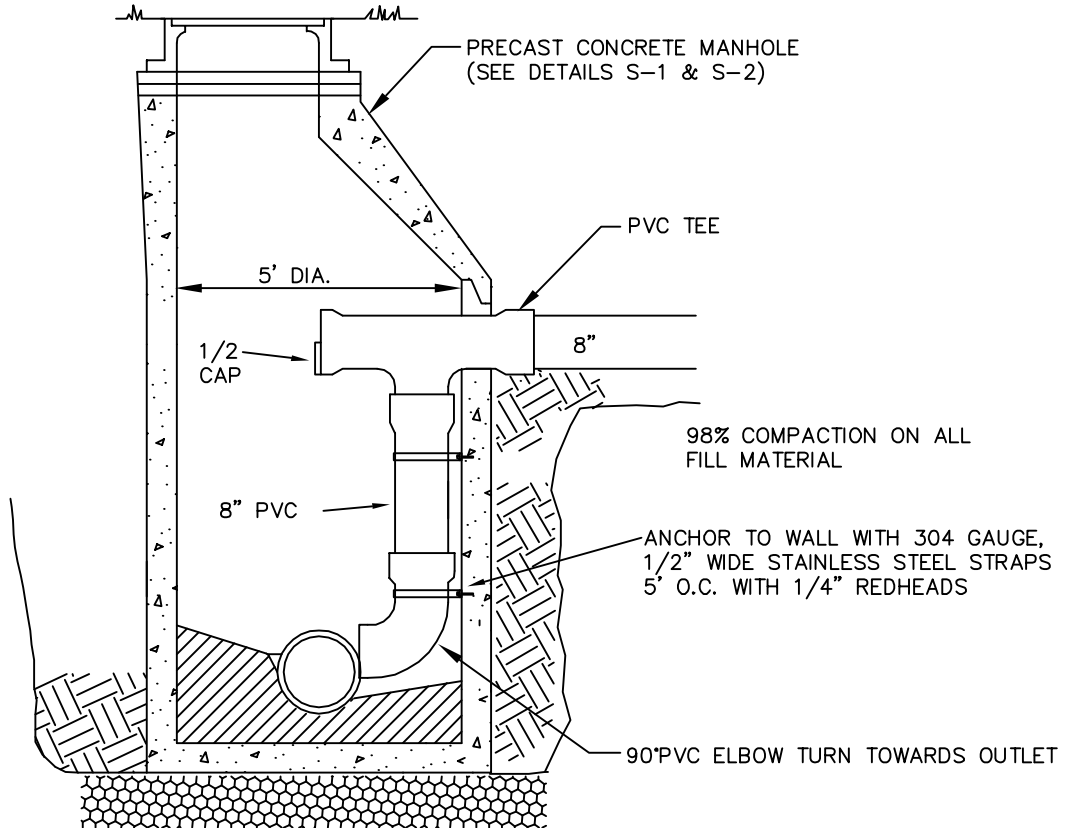
DATE:
7/30/07

SHEET NO.
S-15





PLAN



SECTION A-A

NOTES:

1. MANHOLE SHALL CONFORM TO ALL REQUIREMENTS SHOWN ON THE TYPICAL MANHOLE DETAIL. THIS DETAIL INDICATES ONLY THOSE ITEMS WHICH DIFFER FROM THE TYPICAL MANHOLE.
2. THIS DETAIL SHALL NOT BE USED EXCEPT WITH PRIOR WRITTEN PERMISSION.

INSIDE DROP MANHOLE

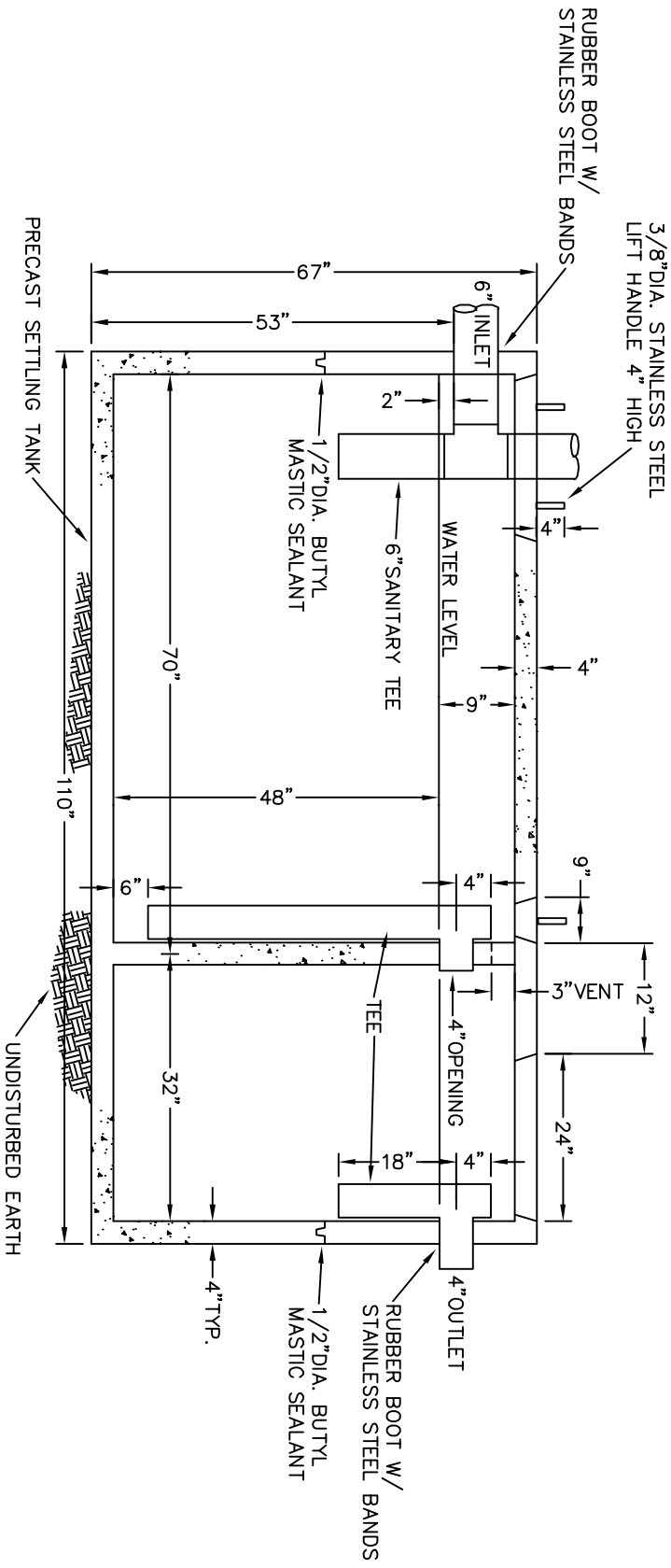
CITY OF NORTH MYRTLE BEACH
ENGINEERING DIVISION

APPROVED BY: KDB
DRAWN BY: KJG

DATE:
10/23/03

SHEET NO.
S-16





SIDE VIEW

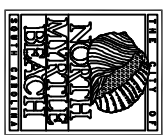
NOTES:
 CONCRETE - 4000 PSI
 REINFORCING - 6"x6"x#10 WIRE MESH WITH #3 STEEL IN TOP AND BOTTOM SLAB
 TOP AND BOTTOM MUST BE MONOLITHICALLY CAST AND HAVE MATCHING KEY JOINT

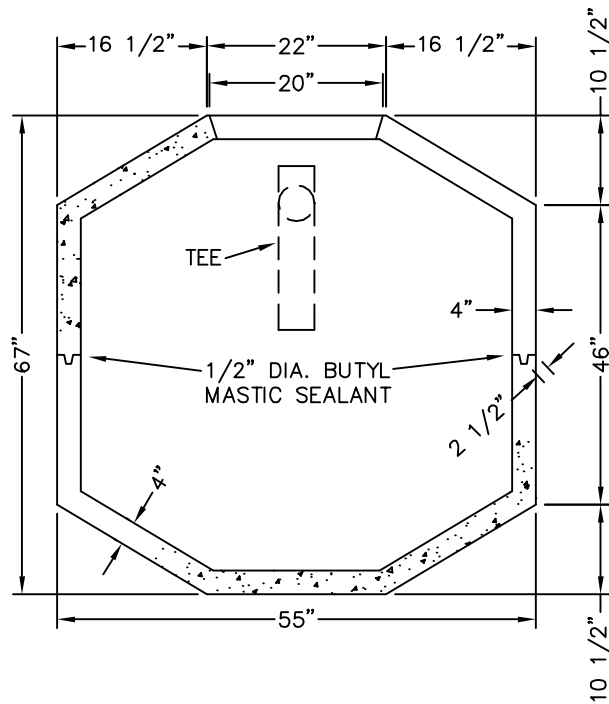
GREASE TRAP - 1000 GALLON
 SIDE VIEW

CITY OF NORTH MYRTLE BEACH
 ENGINEERING DIVISION

APPROVED BY: KDB
 DRAWN BY: KJG

DATE: 10/23/03
 SHEET NO. S-17





END VIEW

GREASE TRAP – 1000 GALLON
END VIEW

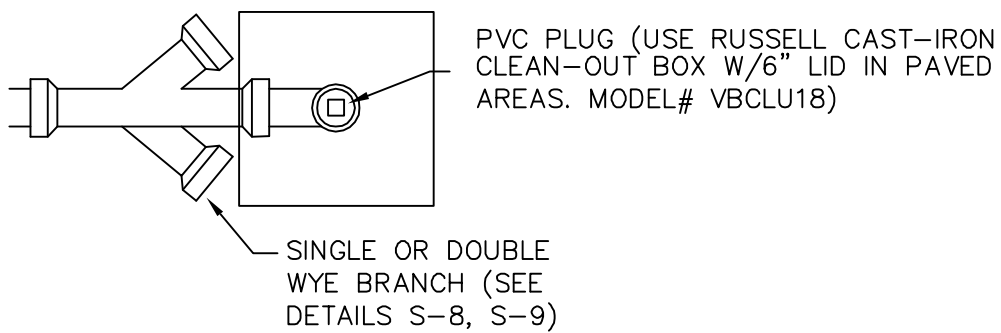
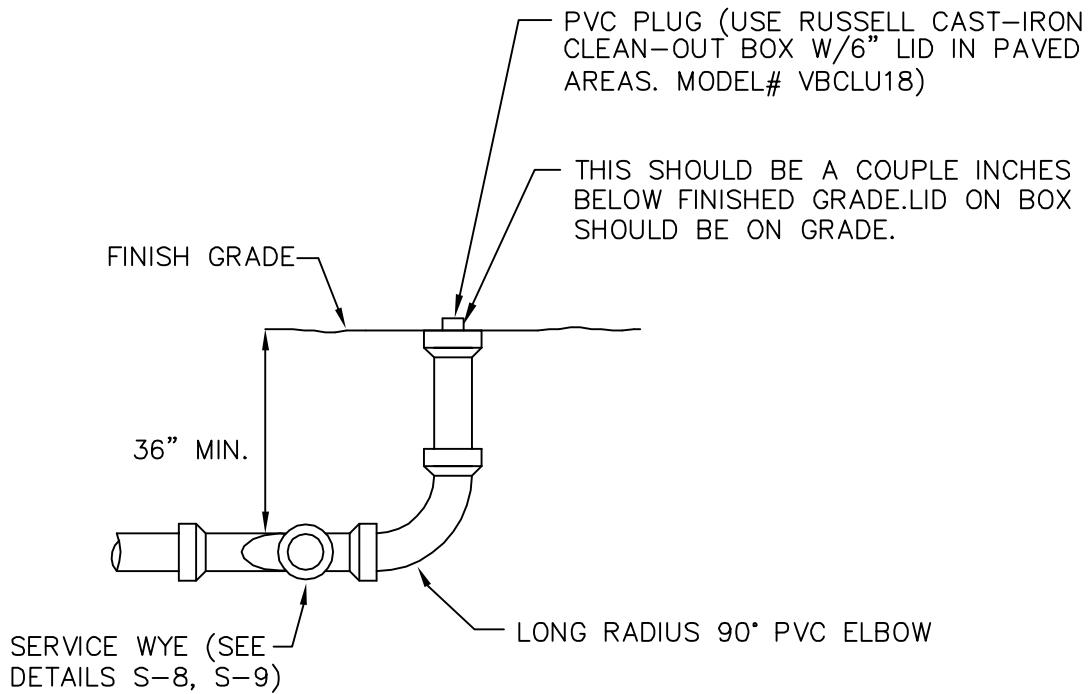
CITY OF NORTH MYRTLE BEACH
ENGINEERING DIVISION


APPROVED BY: KDB
DRAWN BY: KJG

DATE:
10/23/03

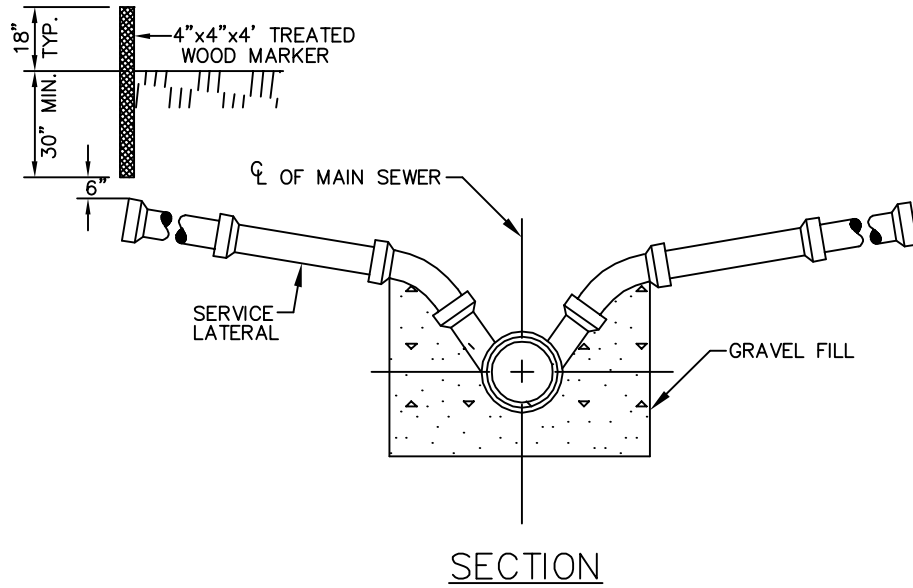
SHEET NO.
S-17a



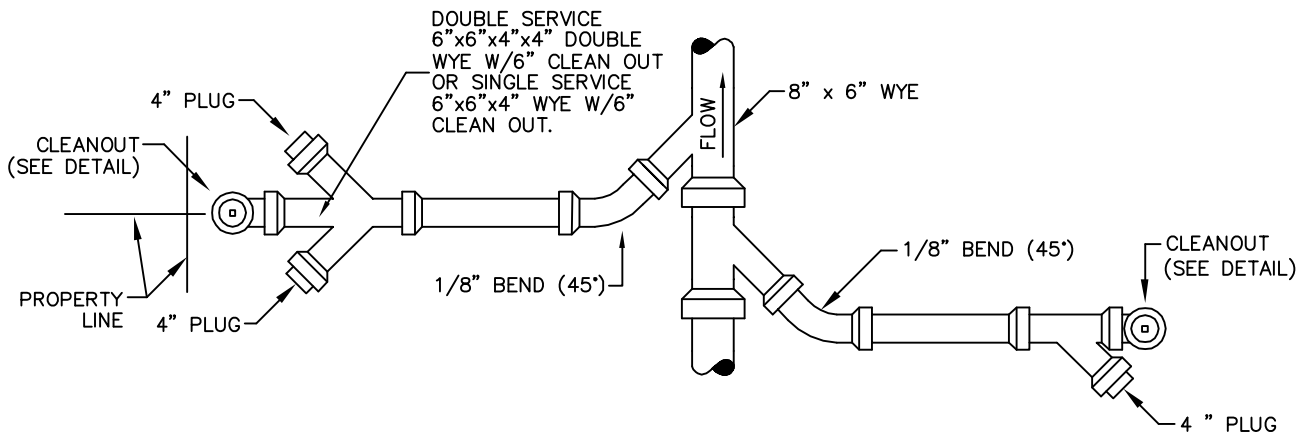


SANITARY SEWER CLEANOUT	CITY OF NORTH MYRTLE BEACH ENGINEERING DIVISION	DATE: 10/23/03	
	APPROVED BY: KDB DRAWN BY: KJG	SHEET NO. S-18	

S-18.DWG



SECTION



PLAN

NOTES:

1. MIN. SERVICE LATERAL SLOPE SHALL BE 1.00% ON 4" SIZE AND 0.65% ON 6" SIZE.
2. MIN. COVER OVER SERVICE LATERAL SHALL BE 36" OR AS SHOWN ON PLANS.
3. INSTALL CLEANOUTS AT CHANGES IN ALIGNMENT OF 90° AND AT ALL CHANGES IN GRADE GREATER THAN 45° OR AS DIRECTED.
4. WHERE SERVICE LINE GRADE IS 20% OR GREATER, INSTALL CONCRETE ANCHORS.

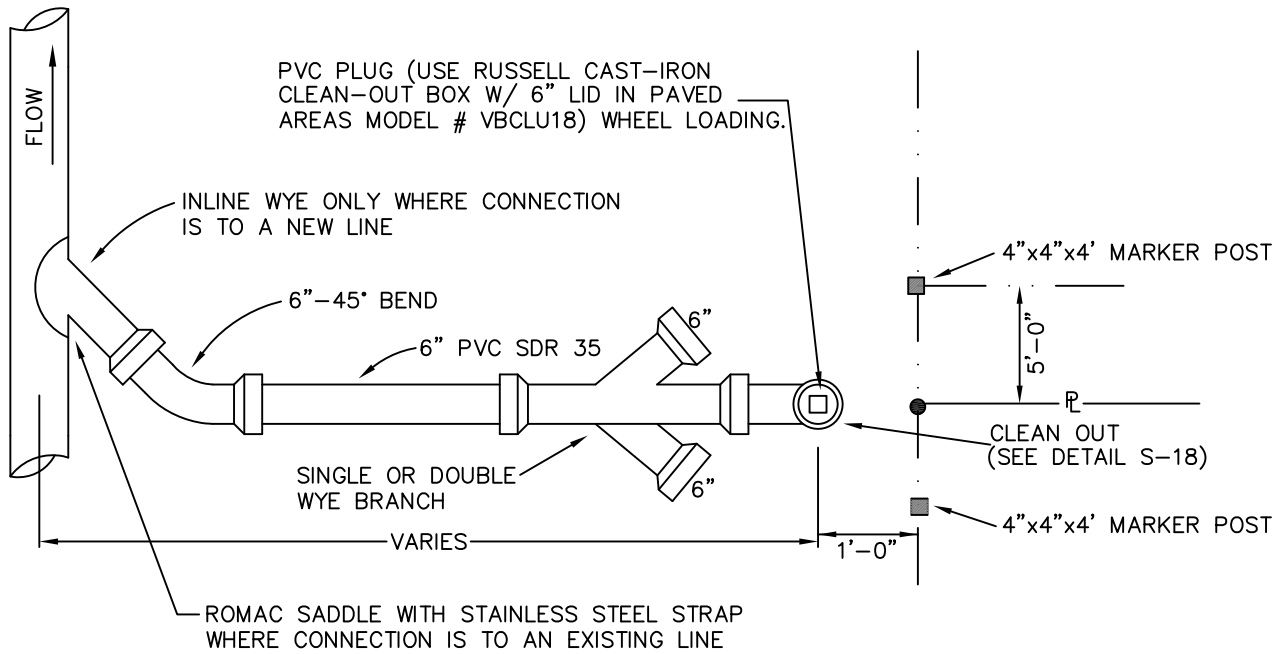
SEWER SERVICE
BUILDING CONNECTION

CITY OF NORTH MYRTLE BEACH
ENGINEERING DIVISION

APPROVED BY: KDB
DRAWN BY: KJG

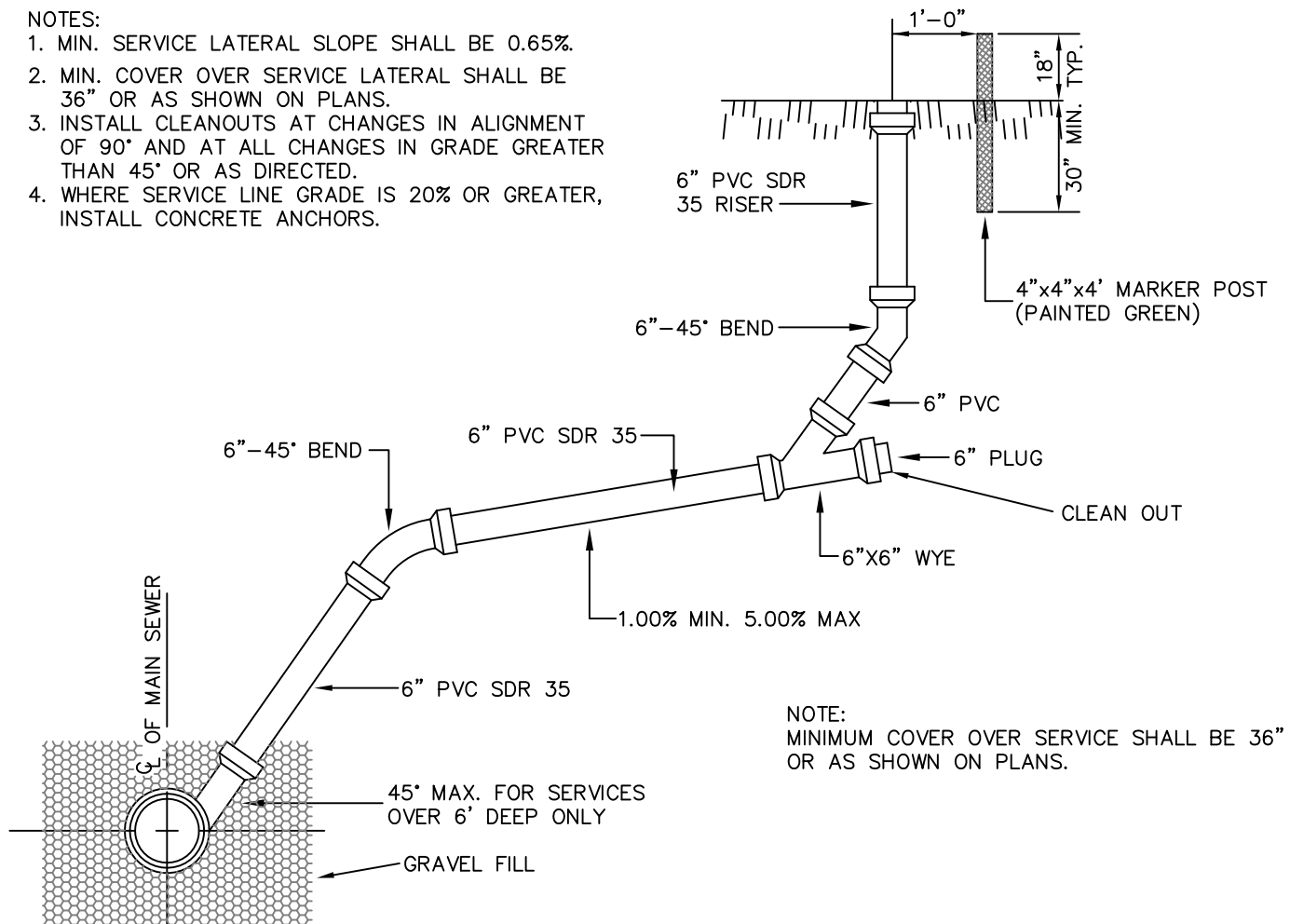
DATE:
10/23/03
SHEET NO.
S-19





NOTES:

1. MIN. SERVICE LATERAL SLOPE SHALL BE 0.65%.
2. MIN. COVER OVER SERVICE LATERAL SHALL BE 36" OR AS SHOWN ON PLANS.
3. INSTALL CLEANOUTS AT CHANGES IN ALIGNMENT OF 90° AND AT ALL CHANGES IN GRADE GREATER THAN 45° OR AS DIRECTED.
4. WHERE SERVICE LINE GRADE IS 20% OR GREATER, INSTALL CONCRETE ANCHORS.



MULTI-FAMILY & COMMERCIAL
6" SEWER
SERVICE CONNECTION

CITY OF NORTH MYRTLE BEACH
ENGINEERING DIVISION

APPROVED BY: KDB
DRAWN BY: HRT

DATE:
2/21/08

SHEET NO.
S-20

